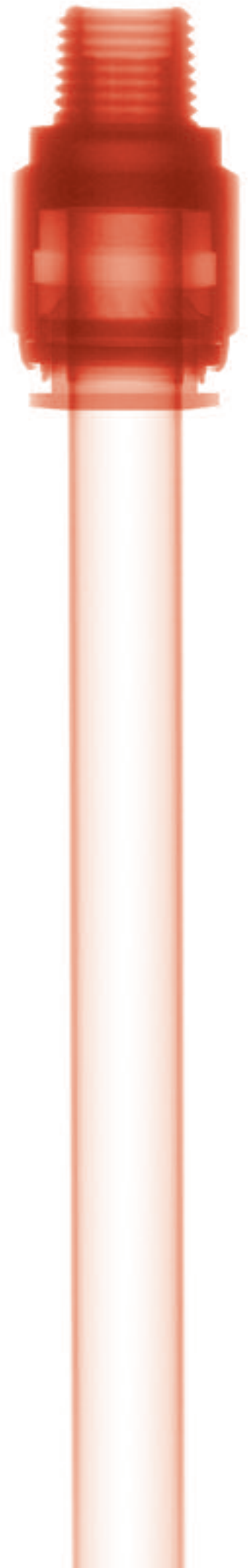
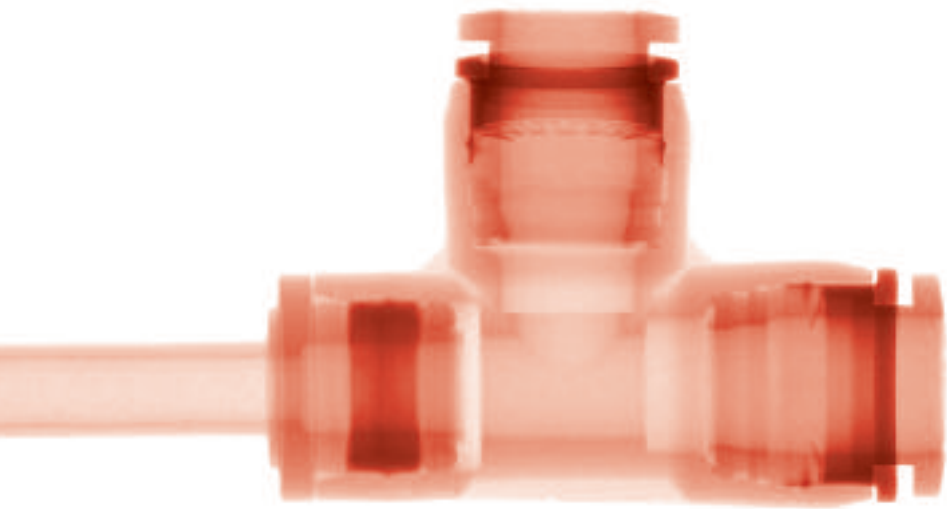




# METRIC PNEUFIT C

Pneumatic fittings solutions for all industries  
Comprehensive size and range from 3 to 16 mm  
Also includes the extensive ultra-compact  
Pneufit® M Miniature series





# FITTINGS SOLUTIONS

Norgren Pneufit® C fittings are ready to use, offering fast assembly with no need for tools providing optimum flow.

Pneufit® C offers a broad range of over 1,000 composite push-in pneumatic fittings to complement our established all brass Pneufit® series.

Releasable stainless-steel grab-ring to grip nylon or polyurethane tube (85 or 95 durometer).

Nickel plated brass components provide corrosion and contamination resistance and an extended life.

Pre applied thread sealant on all taper threads and recessed captive O-ring on parallel threads provides optimum rapid sealing.

Internal and external hexagons on straight fittings.

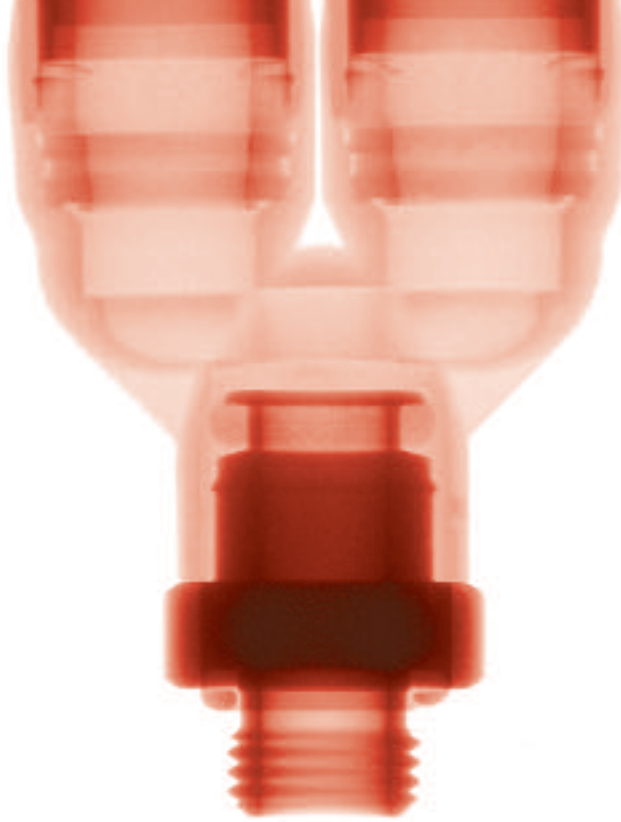
Immediate quality sealing using silicone free U-packing.

Mounting holes on all union fittings.

**Also introducing Miniature Pneufit® M an ultra compact alternative where space is at a premium.**



- >> 01 WIDE RANGE OF METRIC OPTIONS
- 02 FEMALE THREAD OPTIONS
- 03 RANGES INCLUDE BANJO FLOW CONTROLS .



## TECHNICAL DATA

Operating pressure: 750 mm Hg vacuum, up to 10 bar

Temperature: 0 to 60°C

Medium: compressed air

## MATERIALS

Body: PBT

Seals: NBR (silicone free) u-packing and O-rings

Threaded bodies: nickel plated brass

Release sleeve and backing ring: POM

Grab-ring: stainless steel

Collar: nickel plated brass

Thread sealant: threebond 2350B

## TUBE SIZES

Standard sizes: 4, 6, 8, 10, 12, 16 mm

Miniature sizes: 3, 4, and 6 mm

(Inch sizes also available see separate brochure)

## THREAD SIZES

Standard sizes: M5, M6, 1/8", 1/4", 3/8" and 1/2"

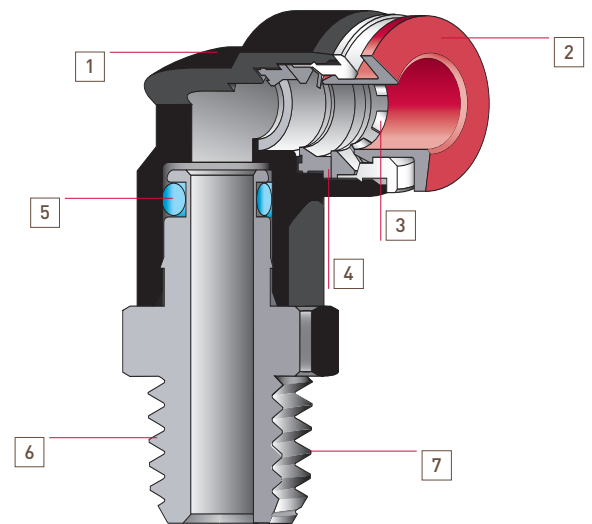
ISO G and ISO Rc

Miniature sizes: M3, M5 and 1/8" ISORc

## TUBE TYPES

Nylon 11 or 12

Polyurethane 85, 95 or 98 durometer



- |  |   |
|--|---|
| <p><b>1</b> Impact resistant PBT body in black for PneuFit® C and light gray for PneuFit® M.</p> <p><b>2</b> Release buttons are red for metric, grey for inch, and light grey oval for PneuFit® M.</p> <p><b>3</b> Stainless steel grab ring with special design to retain softer tube and provide easy releasability.</p> <p><b>4</b> Silicon free U-packing provides leak tight tube seal under side loading.</p> | <p><b>5</b> Stem seal provides leak tight 360° swivel connection.</p> <p><b>6</b> Nickel plated brass threads and notches on hex to signify NPT.</p> <p><b>7</b> Pre-applied thread sealant on tapered threads and recessed captive O-ring on parallel threads.</p> |
|--|---|

# METRIC PNEUFIT® C

## Straight adaptor (external + internal hex)



	4 mm	6 mm	8 mm	10 mm	12 mm	16 mm
M5	C02250405	C02250605	-	-	-	-
M6	C02250406	C02250606	-	-	-	-
1/8" R	C01250418	C01250618	C01250818	C01251018	C01251218	-
1/4" R	C01250428	C01250628	C01250828	C01251028	C01251228	-
3/8" R	C01250438	C01250638	C01250838	C01251038	C01251238	C01251638
1/2" R	-	C01250648	C01250848	C01251048	C01251248	C01251648
1/8" G	C02250418	C02250618	C02250818	C02251018	-	-
1/4" G	C02250428	C02250628	C02250828	C02251028	C02251228	-
3/8" G	C02250438	C02250638	C02250838	C02251038	C02251238	C02251638
1/2" G	-	-	C02250848	C02251048	C02251248	C02251648



## Straight adaptor (internal hex only)



M5	C022A0405	C022A0605	-	-	-	-
M6	C022A0406	C022A0606	-	-	-	-
1/8" R	C012A0418	C012A0618	C012A0818	C012A1018	C012A1218	-
1/4" R	C012A0428	C012A0628	C012A0828	C012A1028	C012A1228	-
3/8" R	C012A0438	C012A0638	C012A0838	C012A1038	C012A1238	-
1/2" R	-	-	C012A0848	C012A1048	C012A1248	-

## Straight adaptor (female thread)



M5	C02260405	-	-	-	-	-
1/8" G	C02260418	C02260618	C02260818	C02261018	-	-
1/4" G	C02260428	C02260628	C02260828	C02261028	C02261228	-
3/8" G	C02260438	C02260638	C02260838	C02261038	C02261238	-
1/2" G	-	-	C02260848	C02261048	C02261248	-

## Straight adaptor (female bulkhead)



1/8" G	C02320418	C02320618	C02320818	-	-	-
1/4" G	C02320428	C02320628	C02320828	C02321028	C02321228	-
3/8" G	C02320438	C02320638	C02320838	C02321038	C02321238	-
1/2" G	-	-	-	C02321048	C02321248	-

## 90° Swivel elbow adaptor



M5	C02470405	C02470605	-	-	-	-
M6	C02470406	C02470606	-	-	-	-
1/8" R	C01470418	C01470618	C01470818	C01471018	C01471218	-
1/4" R	C01470428	C01470628	C01470828	C01471028	C01471228	-
3/8" R	C01470438	C01470638	C01470838	C01471038	C01471238	C01471638
1/2" R	-	C01470648	C01470848	C01471048	C01471248	C01471648
1/8" G	C02470418	C02470618	C02470818	C02471018	-	-
1/4" G	C02470428	C02470628	C02470828	C02471028	C02471228	-
3/8" G	C02470438	C02470638	C02470838	C02471038	C02471238	C02471638
1/2" G	-	-	C02470848	C02471048	C02471248	C02471648



## 90° Swivel elbow adaptor (extended)



M5	C02540405	C02540605	-	-	-	-
M6	C02540406	C02540606	-	-	-	-
1/8" R	C01540418	C01540618	C01540818	C01541018	C01541218	-
1/4" R	C01540428	C01540628	C01540828	C01541028	C01541228	-
3/8" R	C01540438	C01540638	C01540838	C01541038	C01541238	C01541638
1/2" R	-	C01540648	C01540848	C01541048	C01541248	C01541648

## 90° Swivel elbow adaptor (female)



M5	C02480405	C02480605	-	-	-	-
M6	C02480406	C02480606	-	-	-	-
1/8" R	C01480418	C01480618	C01480818	-	-	-
1/4" R	C01480428	C01480628	C01480828	C01481028	C01481228	-
3/8" R	-	C01480638	C01480838	C01481038	C01481238	-
1/2" R	-	-	-	C01481048	C01481248	-

## Swivel Y adaptor



M5	C02880405	C02880605	-	-	-	-
M6	C02880406	C02880606	-	-	-	-
1/8" R	C01880418	C01880618	C01880818	C01881018	C01881218	-
1/4" R	C01880428	C01880628	C01880828	C01881028	C01881228	-
3/8" R	C01880438	C01880638	C01880838	C01881038	C01881238	-
1/2" R	-	C01880648	C01880848	C01881048	C01881248	-
1/8" G	C02880418	C02880618	C02880818	C02881018	-	-
1/4" G	C02880428	C02880628	C02880828	C02881028	C02881228	-
3/8" G	C02880438	C02880638	C02880838	C02881038	C02881238	-
1/2" G	-	C02880648	C02880848	C02881048	C02881248	-



# METRIC PNEUFIT® C

## Swivel tee adaptor



	4 mm	6 mm	8 mm	10 mm	12 mm	16 mm
M5	C02670405	C02670605	-	-	-	-
M6	C02670406	C02670606	-	-	-	-
1/8" R	C01670418	C01670618	C01670818	C01671018	C01671218	-
1/4" R	C01670428	C01670628	C01670828	C01671028	C01671228	-
3/8" R	C01670438	C01670638	C01670838	C01671038	C01671238	C01671638
1/2" R	-	C01670648	C01670848	C01671048	C01671248	C01671648
1/8" G	C02670418	C02670618	C02670818	C02671018	-	-
1/4" G	C02670428	C02670628	C02670828	C02671028	C02671228	-
3/8" G	C02670438	C02670638	C02670838	C02671038	C02671238	C02671638
1/2" G	-	C02670648	C02670848	C02671048	C02671248	C02671648



## Swivel side tee adaptor



M5	C02680405	C02680605	-	-	-	-
M6	C02680406	C02680606	-	-	-	-
1/8" R	C01680418	C01680618	C01680818	C01681018	C01681218	-
1/4" R	C01680428	C01680628	C01680828	C01681028	C01681228	-
3/8" R	C01680438	C01680638	C01680838	C01681038	C01681238	-
1/2" R	-	C01680648	C01680848	C01681048	C01681248	-
1/8" G	C02680418	C02680618	C02680818	C02681018	-	-
1/4" G	C02680428	C02680628	C02680828	C02681028	C02681228	-
3/8" G	C02680438	C02680638	C02680838	C02681038	C02681238	-
1/2" G	-	-	C02680848	C02681048	C02681248	-



## Swivel tee adaptor (female)



M5	C026C0405	C026C0605	-	-	-	-
M6	C026C0406	C026C0606	-	-	-	-
1/8" R	C016C0418	C016C0618	C016C0818	C016C1018	-	-
1/4" R	C016C0428	C016C0628	C016C0828	C016C1028	C016C1228	-
3/8" R	-	C016C0638	C016C0838	C016C1038	C016C1238	-
1/2" R	-	-	C016C0848	C016C1048	C016C1248	-

## Banjo



M5	C0A510405	C0A510605	-	-	-	-
M6	C0A510406	C0A510606	-	-	-	-
1/8" G	C0A510418	C0A510618	C0A510818	-	-	-
1/4" G	C0A510428	C0A510628	C0A510828	C0A511028	-	-
3/8" G	-	C0A510638	C0A510838	C0A511038	C0A511238	-
1/2" G	-	-	C0A510848	C0A511048	C0A511248	-

## Banjo with top port



M5	C0D510405	C0D510605	-	-	-	-
1/8" R	C0E510418	C0E510618	C0E510818	-	-	-
1/4" R	C0F510428	C0F510628	C0F510828	C0F511028	-	-
3/8" R	-	C0G510638	C0G510838	C0G511038	C0G511238	-

## Banjo flow control (out)



M5	C0K510405	C0K510605	-	-	-	-
1/8" R	C0TA00418	C0TA00618	C0TA00818	-	-	-
1/4" R	C0TA00428	C0TA00628	C0TA00828	C0TA01028	C0TA01228	-
3/8" R	-	C0TA00638	C0TA00838	C0TA01038	C0TA01238	-
1/2" R	-	-	C0TA00848	C0TA01048	C0TA01248	-
1/8" G	C0K510418	C0K510618	C0K510818	-	-	-
1/4" G	C0K510428	C0K510628	C0K510828	C0K511028	C0K511228	-
3/8" G	-	C0K510638	C0K510838	C0K511038	C0K511238	-
1/2" G	-	-	C0K510848	C0K511048	C0K511248	-



## Slotted screwdriver banjo flow control (out)



M5	C0KB00405	C0KB00605	-	-	-	-
1/8" R	C0TB00418	C0TB00618	C0TB00818	-	-	-
1/4" R	C0TB00428	C0TB00628	C0TB00828	C0TB01028	C0TB01228	-
3/8" R	-	C0TB00638	C0TB00838	C0TB01038	C0TB01238	-
1/2" R	-	-	C0TB00848	C0TB01048	C0TB01248	-
1/8" G	C0KB00418	C0KB00618	C0KB00818	-	-	-
1/4" G	C0KB00428	C0KB00628	C0KB00828	C0KB01028	C0KB01228	-
3/8" G	-	C0KB00638	C0KB00838	C0KB01038	C0KB01238	-
1/2" G	-	-	C0KB00848	C0KB01048	C0KB01248	-



## In line flow control



-	C00GE0400	C00GE0600	C00GE0800	C00GE1000	C00GE1200	-
---	-----------	-----------	-----------	-----------	-----------	---



# MINIATURE PNEUFIT® M

## Straight adaptor (external hex)



	3 mm	4 mm	6 mm
M3	M02250303	M02250403	-
M5	M02250305	M02250405	M02250605
M6	M02250306	M02250406	M02250606
1/8"	-	M01250418	M01250618

## Straight adaptor (internal hex only)



	3 mm	4 mm	6 mm
M3	M022A0303	M022A0403	-
M5	M022A0305	M022A0405	M022A0605
M6	M022A0306	M022A0406	M022A0606
1/8"	-	M012A0418	M012A0618

## Straight adaptor (female thread)



	3 mm	4 mm	6 mm
M3	M02260303	M02260403	-
M5	M02260305	M02260405	M02260605
M6	M02260306	M02260406	M02260606
1/8"	-	M01260418	M01260618

## 90° Swivel elbow adaptor



	3 mm	4 mm	6 mm
M3	M02470303	M02470403	-
M5	M02470305	M02470405	M02470605
M6	M02470306	M02470406	M02470606
1/8"	-	M01470418	M01470618

## Swivel tee adaptor



	3 mm	4 mm	6 mm
M3	M02670303	M02670403	-
M5	M02670305	M02670405	M02670605
M6	M02670306	M02670406	M02670606
1/8"	-	M01670418	M01670618

## Swivel side tee adaptor



	3 mm	4 mm	6 mm
M3	M02680303	M02680403	-
M5	M02680305	M02680405	M02680605
M6	M02680306	M02680406	M02680606
1/8"	-	M01680418	M01680618

## Straight union



	3 mm	4 mm	6 mm
-	M00200300	M00200400	M00200600

## Union elbow



	3 mm	4 mm	6 mm
-	M00400300	M00400400	M00400600

## Union tee



	3 mm	4 mm	6 mm
-	M00600300	M00600400	M00600600

## Straight union (unequal)

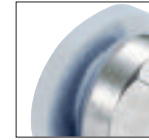


	4 - 3 mm	6 - 3 mm	6 - 4 mm
-	M00200403	M00200603	M00200604

## Banjo flow control



	3 mm	4 mm	6 mm
M5	C0K510305	C0K510405	C0K510605



01



02



03

- » 01 OVAL COMPACT RELEASE SLEEVE  
02 MOUNTING HOLES ON UNIONS  
03 FEMALE THREAD OPTIONS

# PNEUFIT® C HAND VALVES

## Hand valves (thread/thread)



	R1/8	R1/4	R3/8	R1/2
-	C01GG1818	C01GG2828	C01GG3838	C01GG4848

## Hand valves (tube/tube)



	6 mm	8 mm	10 mm	12 mm
-	C00GF0600	C00GF0800	C00GF1000	C00GF1200

## Hand valves Tube (inlet) to thread (outlet)



	R1/8	R1/4	R3/8	R1/2
1/8" R	C01GH 0618	C01GH 0818	-	-
1/4" R	C01GH 0628	C01GH 0828	C01GH 1028	C01GH 1228
3/8" R	C01GH 0638	C01GH 0838	C01GH 1038	C01GH 1238
1/2" R	-	-	C01GH 1048	C01GH 1248

## Hand valves Thread (inlet) to tube (outlet)



	R1/8	R1/4	R3/8	R1/2
1/8" R	C01GJ 0618	C01GJ 0818	-	-
1/4" R	C01GJ 0628	C01GJ 0828	C01GJ 1028	C01GJ 1228
3/8" R	C01GJ 0638	C01GJ 0838	C01GJ 1038	C01GJ 1238
1/2" R	-	-	C01GJ 1048	C01GJ 1248

# PNEUFIT® C MANIFOLDS

## Male manifold



	6 - 4 mm	8 - 4 mm	8 - 6 mm	10 - 8 mm
1/8" R	C01D3 0418	-	-	-
1/4" R	-	C01D3 0428	C01D3 0628	-
3/8" R	-	-	-	C01D3 0838

## Manifold union



	6 - 4 mm	8 - 4 mm	8 - 6 mm	10 - 6 mm	10 - 8 mm
-	C00D3 0604	C00D3 0804	C00D3 0806	C00D3 1006	C00D3 1008

## Stem manifold



	6 - 4 mm	8 - 4 mm	8 - 6 mm	10 - 6 mm	10 - 8 mm
-	C00J3 0604	C00J3 0804	C00J3 0806	-	C00J3 1008

**AUSTRALIA**

Tel: +61 3 921 30 800  
Fax: +61 3 921 30 890  
enquiry@norgren.com.au

**AUSTRIA**

Tel: +43 22 36 63 520  
Fax: +43 22 36 63 520 20  
enquiry@at.norgren.com

**BELGIUM & LUXEMBURG**

Tel: +32 2 333 44 11  
Fax: +32 2 376 26 34  
enquiry@be.norgren.com

**BRAZIL**

Tel: +55 11 5698 4000  
Fax: +55 11 5698 4001  
vendas@norgren.com.br

**CANADA**

Tel: +1 303 794 2611  
Fax: +1 303 795 9487  
inquiry@usa.norgren.com

**CHINA**

Tel: +86 21 64 85 69 09  
Fax: +86 21 64 95 60 42  
norgren@online.sh.cn

**CZECH REPUBLIC**

Tel: +420 465 612 879  
Fax: +420 465 612 908  
info@cz.norgren.com

**DENMARK**

Tel: +45 44 91 41 66  
Fax: +45 44 91 15 60  
norgren@norgren.dk

**FINLAND**

Tel: +358 95 712 140  
Fax: +358 95 712 1440  
arki@norgren.fi

**FRANCE**

Tel: +33 1 60 05 92 12  
Fax: +33 1 60 06 08 52  
norgren@norgren.fr

**GERMANY**

Tel: +49 2802 49-0  
Fax: +49 2802 49356  
info@norgren.de

**HONG KONG**

Tel: +852 2492 7608  
Fax: +852 2498 5878  
enquiry@norgren.com.hk

**HUNGARY**

Tel: +36 1 284 9000  
Fax: +36 1 284 8980  
budapest@norgren.hu

**INDIA**

Tel: +91 11 2681 7933  
Fax: +91 11 2681 7932  
enquiry@norgren.co.in.

**IRELAND**

Tel: +353 1 8300 288  
Fax: +353 1 8300 082  
norgren@indigo.ie

**ITALY**

Tel: +39 039 60 631  
Fax: +39 039 60 63 301  
d.aziendale@norgrenitalia.it

**JAPAN**

Tel: +81 6 6876 8913  
Fax: +81 6 6876 8929  
Japan@imi-norgren.com

**MALAYSIA**

Tel: +60 3 5121 9255  
Fax: +60 3 5121 2889  
enquiry@norgren.com.my

**MEXICO**

Tel: +52 55 1500 64 00  
Fax: +52 55 5565 70 72  
neumatica@norgren.com.mx

**NETHERLANDS**

Tel: +31 20 6822751  
Fax: +31 20 6820983  
enquiry@nl.norgren.com

**NEW ZEALAND**

Tel: +64 9 579 0189  
Fax: +64 9 526 3398  
enquiry@norgren.co.nz

**NORWAY**

Tel: +47 67 90 82 01  
Fax: +47 67 97 06 24  
norgren@norgren.no

**POLAND**

Tel: +48 22 518 9530  
Fax: +48 22 518 9531  
biuro@pl.norgren.com

**SINGAPORE**

Tel: +65 6862 1811  
Fax: +65 6862 1916/17  
enquiry@sg.norgren.com

**SLOVENIA**

Tel: +386 4 531 7550  
Fax: +386 4 531 7555  
info@si.norgren.com

**SPAIN**

Tel: +34 93 748 9800  
Fax: +34 93 783 0838  
norgren@norgren.es

**SWEDEN**

Tel: +46 40 59 51 00  
Fax: +46 40 49 50 90  
info@norgren.se

**SWITZERLAND**

Tel: +41 71 973 82 00  
Fax: +41 71 973 82 01  
norgren@norgren.ch

**UK**

Tel: +44 1543 265 000  
Fax: +44 1543 265 811  
enquiry@uk.norgren.com

**USA**

Tel: +1 303 794 2611  
Fax: +1 303 795 9487  
inquiry@usa.norgren.com

Supported by distributors worldwide  
[www.norgren.com](http://www.norgren.com)

The Roundel, 'Norgren' and 'IMI' are registered trade marks  
©IMI Norgren Limited 2005.  
Due to our policy of continuous development, Norgren reserve the right to change specifications without prior notice.

Pneufit® is a registered trade mark of IMI Norgren Limited 2005

z6825 IPS UK /07/05