

# HEAVY DUTY FLOW REGULATORS M/800 Series

Uni-directional - G1/8 to G1, 1/8 NPT to 1 NPT



- Line mounted general purpose regulators
- Captive regulating needle will not blow out when unscrewed
- Calibrated adjusting knob, can be locked
- Suitable for wall mounting
- High operating pressure

## TECHNICAL DATA

### Medium:

Compressed air, filtered, lubricated and non-lubricated

### Operating pressure:

0,3 to 16 bar

### Ambient temperature:

-20°C to +80°C (Alternative models to 150°C)

Consult our Technical Service for use below +2°C

## MATERIALS

### S/836, M/837, M/839

Body, adjusting knob and locking ring: brass

### M/840, M/855

Body, adjusting knob and locking ring: aluminium

Seals: nitrile rubber

## BSP threads

Function	Port size	Max. regulated flow factor			Free flow factor			kg	Metered / free flow at 6 - 5	MODELS	Spare kit
		C *	Cv	Kv **	C *	Cv	Kv **				
	G 1/8	0,7	0,17	0,15	2,1	0,6	0,45	0,10	170/ 509	S/836	QS/520/00
	G 1/4	2	0,49	0,43	4,3	1	0,92	0,15	486/ 1040	S/837	QS/521/00
	G 1/2	12	2,9	2,56	17	4,1	3,62	0,60	2894/ 4002	M/839	QS/522/00
	G 3/4	18	4,4	3,83	38	9,3	8,09	1,20	5330/ 9146	M/840	QS/523/00
	G 1	36	8,8	7,67	45	11	9,60	3,50	8671/ 10853	M/855	QS/524/00

\* Measured in dm<sup>3</sup>/(s.bar)

\*\* Measured in m<sup>3</sup>/h

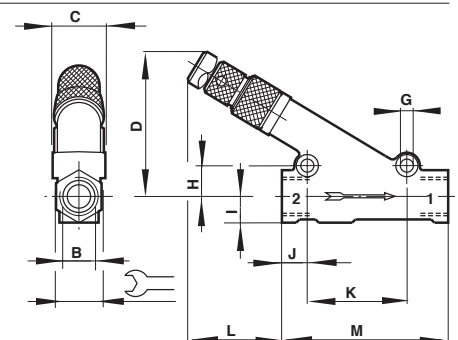
## NPT threads

Function	Port size	Max. regulated flow factor			Free flow factor			kg	Metered / free flow at 6 - 5	MODELS	Spare kit
		C *	Cv	Kv **	C *	Cv	Kv **				
	1/8 NPT	0,7	0,17	0,15	2,1	0,6	0,46	0,10	170/ 509	C/836	QC/520/00
	1/4 NPT	2	0,49	0,43	4,3	1	0,92	0,15	486/ 1040	C/837	QC/521/00
	1/2 NPT	12	2,9	2,56	17	4,1	3,62	0,60	2894/ 4002	C/839	QC/522/00
	3/4 NPT	18	4,4	3,83	38	9,3	8,09	1,20	5330/ 9146	C/840	QC/523/00
	1 NPT	36	8,8	7,67	45	11	9,60	3,50	8671/ 10853	C/855	QC/524/00

\* Measured in dm<sup>3</sup>/(s.bar)

\*\* Measured in m<sup>3</sup>/h

B	C	D	E	ØF	ØG	H	I	J	K	L	M	Ø	MODELS
G 1/8	17	38,0 max.	6,5	8,5	5,1	8,5	8,0	5,0	24,5	27,5 max.	46	13	S/836
G 1/4	22	37,5 max.	7,5	11,5	5,2	11,0	9,5	6,0	41,0	25,0 max.	60	17	M/837
G 1/2	28	80,0 max.	13	20,5	8,3	17,0	16,0	13,0	57,0	53,0 max.	95	28	M/839
G 3/4	38	104 max.	13	25,5	8,30	21,5	17,5	20,5	76,0	66,0 max.	118	32	M/840
G 1	52	147 max.	22	35,5	13,0	26,0	24,0	23,0	90,0	107 max.	150	48	M/855



For further information



[www.norgren.com/info/en7-076](http://www.norgren.com/info/en7-076)