

EXCELON® 74
Filter/Regulator
3/8", 1/2", 3/4" Port Sizes

- EXCELON design allows in-line or modular installation
- Quick release bayonet bowl
- Highly visible, prismatic liquid level indicator lens
- Full flow gauge ports
- Balanced valve design minimizes effect of variation in the inlet pressure on the outlet pressure
- Modular installations with EXCELON 72, 73, and 74 series can be made to suit particular applications


Technical Data

Fluid: Compressed air

Maximum pressure:

Transparent bowl: 10 bar (150 psig)

Metal bowl: 17 bar (250 psig)

Operating temperature*:

Transparent bowl: -20° to 50°C (0° to 125°F)

Metal bowl: -20° to 80°C (0° to 175°F)

* Air supply must be dry enough to avoid ice formation at temperatures below +2°C (+35°F).

Particle removal: 5, 25 or 40 µm filter element

Air quality: Within ISO 8573-1, Class 3 and Class 5 (particulates)

Typical flow with 10 bar (150 psig) inlet pressure, 6,3 (90 psig) set pressure and a droop of 1 bar (15 psig) from set:
 100 dm³/s (212 scfm)

Manual drain connection: 1/8"

Automatic drain connection: 1/8"

Automatic drain operating conditions (float operated):

Bowl pressure required to close drain: Greater than 0,3 bar (5 psig)

Bowl pressure required to open drain: Less than 0,2 bar (3 psig)

Minimum air flow required to close drain: 1 dm³/s (2 scfm)

Manual operation: Depress pin inside drain outlet to drain bowl

Nominal bowl size: 0,2 litre (7 fluid ounce)

Gauge ports:

1/4 PTF with PTF main ports

Rc1/4 with ISO Rc main ports

Rc1/8 with ISO G main ports

Materials:

Body: Aluminum

Bonnet: Aluminum

Valve: Brass

Bowl:

Transparent: Polycarbonate with steel bowl guard

Metal: Aluminum

Metal bowl liquid level indicator lens:

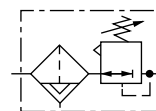
Transparent nylon

Element: Sintered plastic

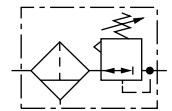
Elastomers: Neoprene and Nitrile

Ordering Information

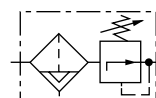
See *Ordering Information* on the following pages.

ISO Symbols


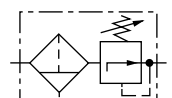
Automatic Drain, Relieving



Manual Drain, Relieving



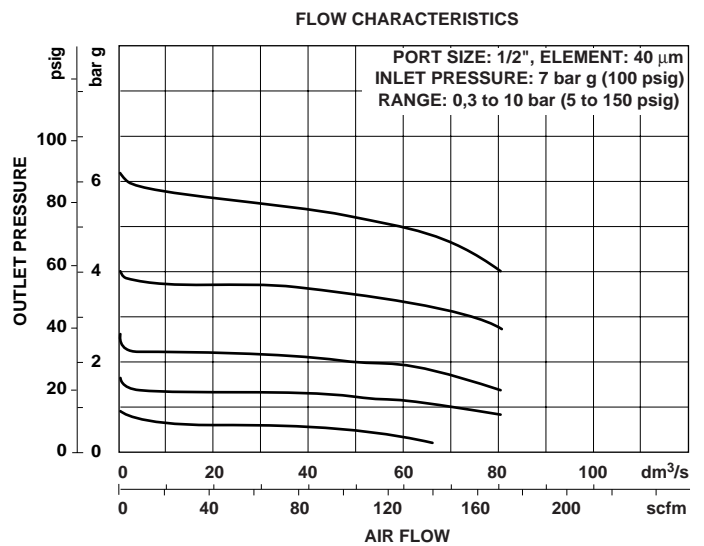
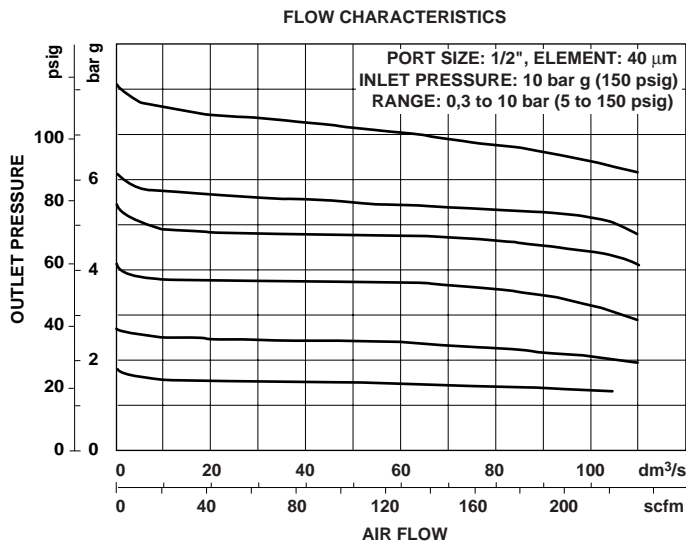
Automatic Drain, Non Relieving



Manual Drain, Non Relieving



Typical Performance Characteristics



Ordering Information. Models listed include ISO G parallel threads, knob adjustment, automatic drain, metal bowl with liquid level indicator, 40 µm element, relieving diaphragm and 0,3 to 10 bar (5 to 150 psig) outlet pressure adjustment range*.

Main Port Size	Model Number	Flow† dm³/s (scfm)	Weight kg (lb)
G3/8	B74G-3GK-AD3-RMN	77 (163)	1,19 (2.62)
G1/2	B74G-4GK-AD3-RMN	100 (212)	1,17 (2.59)
G3/4	B74G-6GK-AD3-RMN	100 (212)	1,16 (2.55)

† Typical flow with 10 bar (150 psig) inlet pressure, 6,3 bar (90 psig) set pressure and a 1 bar (15 psig) droop from set.

Alternative Models



Port Size	Substitute
3/8"	3
1/2"	4
3/4"	6

Threads	Substitute
PTF	A
ISO Rc taper	B
ISO G parallel	G

Adjustment	Substitute
Knob	K
T-bar	T

Drain	Substitute
Automatic	A
Manual, 1/4 turn	Q

Gauge	Substitute
With	G
Without	N

Outlet Pressure Adjustment Range*	Substitute
0,3 to 4 bar (5 to 60 psig)	F
0,3 to 10 bar (5 to 150 psig)	M
0,7 to 17 bar (10 to 250 psig)**	S

Diaphragm	Substitute
Relieving	R
Non relieving	N

Element	Substitute
5 µm	1
25 µm	2
40 µm	3

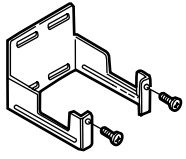
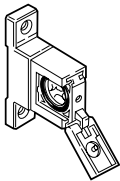

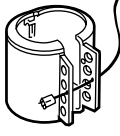
Bowl	Substitute
Metal with liquid level indicator	D
Transparent with guard	P


* Outlet pressure can be adjusted to pressures in excess of, and less than, those specified. Do not use these units to control pressures outside of the specified ranges.

** Units with 17 bar (250 psig) outlet pressure range are available only with the T-bar adjustment; therefore substitute **T** at the 7th digit and **S** at the 12th position.



Accessories

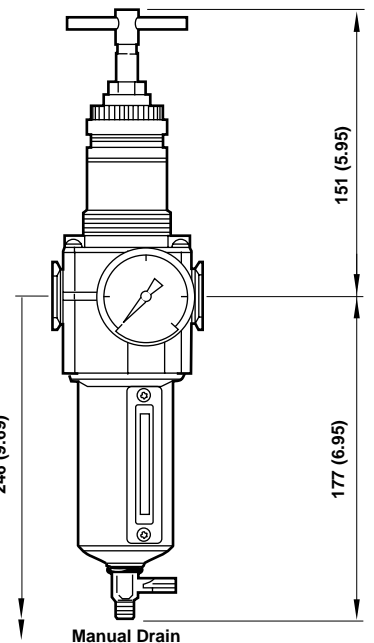
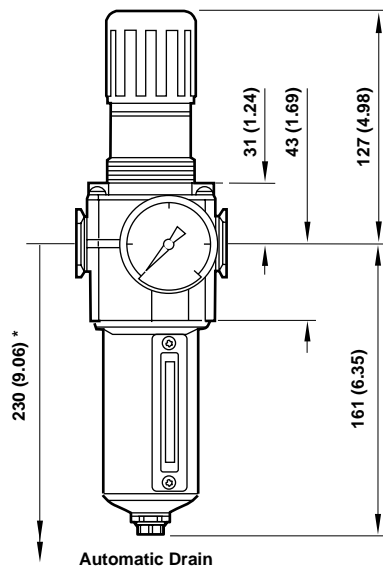
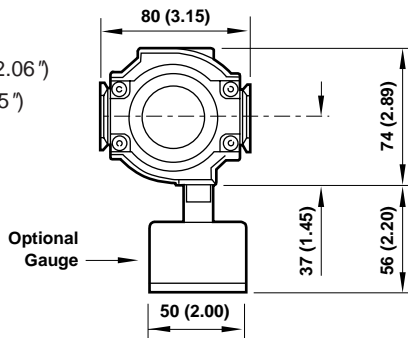
			
Wall Mounting Bracket	Quikclamp and Quikclamp Wall Bracket	Panel Nut	Tamper Resistant Cover & Seal Wire ††
4324-50	4314-52	4348-89	4355-51
			Seal Wire: 2117-01

			
Ø 50 mm Pressure Gauge	R1/4 Connection	R1/8 Connection	1/4 PTF Connection
4 bar (60 psig)	18-013-266	18-013-011	18-013-208
10 bar (150 psig)	18-013-260	18-013-013	18-013-209
20 bar (300 psig)	18-013-267	18-013-014	18-013-210

†† Use padlock with shackle up to 8 mm (0.3") in diameter.

Dimensions mm (inches)

Panel mounting hole diameter: 52 mm (2.06")
Panel thickness: 2 to 6 mm (0.06" to 0.25")



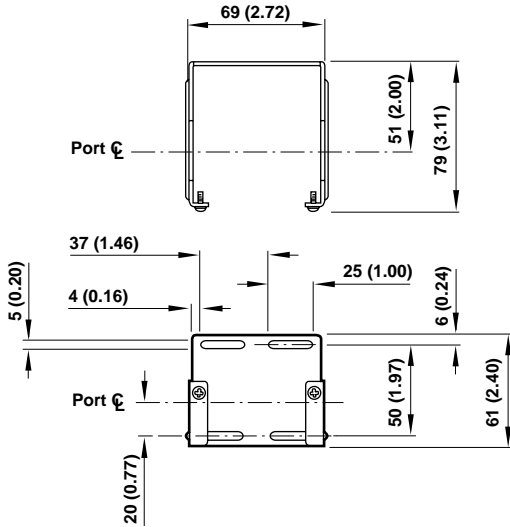
* Minimum clearance to remove bowl.



Bracket Mounting

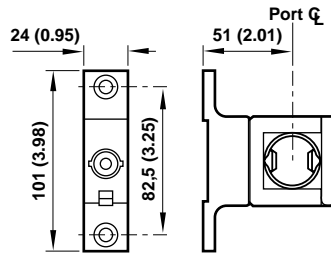
Mounting Bracket

Use 5 mm (3/16") screws to mount bracket to wall.



Quikclamp and Quikclamp Wall Bracket

Use 6 mm (7/32") screws to mount bracket to wall.



Bracket Kit Reference

Item	Part Number
Wall Bracket	4324-50
Quikclamp and Quikclamp Wall Bracket	4314-52

Service Kits

Item	Type	Part Number
Service kit	Relieving	4383-700
	Non relieving	4383-701
Replacement elements	5 µm	4338-04
	25 µm	4338-07
	40 µm	4338-05
Liquid level lens kit	Prismatic	4380-050
Replacement drains	Automatic (1/8 NPT outlet)	3000-10
	Automatic (G 1/8 outlet)	3000-97
	Manual quarter turn	619-50

Service kit includes diaphragm assembly, valve assembly, valve spring, louvre o-ring, bowl o-ring, drain seal.

Warning

These products are intended for use in industrial compressed air systems only. Do not use these products where pressures and temperatures can exceed those listed under 'Technical Data'.

Before using these products with fluids other than those specified, for non-industrial applications, life-support systems, or other applications not within published specifications, consult Norgren.

Through misuse, age, or malfunction, components used in fluid power systems can fail in various modes. The system designer is warned to consider the failure modes of all component parts used in fluid power systems and to provide adequate safeguards to prevent personal injury or damage to equipment in the event of such failure.

System designers must provide a warning to end users in the system instructional manual if protection against a failure mode cannot be adequately provided.

System designers and end users are cautioned to review specific warnings found in instruction sheets packed and shipped with these products.

Water vapor will pass through these units and will condense into liquid if air temperature drops in the downstream system. Install an air dryer if water condensation could have a detrimental effect on the application.