

## 2/2-way valves DN 15 to DN 80

For aggressive gases and liquids  
 Pressure actuated by external fluid  
 Seat valves  
 Internal thread G 1/2 to G 3 or 1/2" NPT to 3" NPT  
 Operating pressure: 0 - 20 bar (see technical data)

### Description (standard valve)

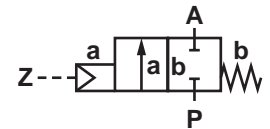
Switching function: normally closed  
 Flow direction: determined  
 Mounting position: as required

### Process fluid characteristics / Valve material

Fluid temperature: -10 °C up to max. +180 °C  
 Ambient temperature: -10 °C up to max. +60 °C  
 Body: Stainless steel  
 Seat seal: PTFE  
 Internal parts: Stainless steel  
 Spindle sealing: PTFE / FPM, self-adjusting

### Pilot fluid characteristics / Actuator material

Pilot fluid: neutral gases  
 Fluid temperature: max. +60 °C  
 Body: Polyamid 66 with 30% fibre glass  
 Seal: NBR  
 Internal parts: Brass, Stainless steel



### Features

- Easy conversion into "normally open" or "double-acting" without tool (actuator Ø 70 mm only)
- Optical position indicator is standard
- Damped closing (valve closes against flow direction)
- Suitable for contaminated process fluids
- Suitable for vacuum up to max. 90% (actuator Ø 70 mm only)
- Reversed flow direction optional
- High flow rate
- Optional pressure actuation by liquid pilot fluids

### Technical data actuator Ø 70 mm

Connection size G	DN mm	kv-Value m³/h	Part number	Operating pressure bar*				
				PTFE 00	Normally open** 01	Position indicator: on / off with micro switches 23	NAMUR adapter plate 50	Position indicator to NAMUR EN 50227 58
1/2	15	4.8	84522XX.0000.00000	0 - 16	0 - 16	0 - 16	0 - 16	0 - 16
3/4	20	10.0	84523XX.0000.00000	0 - 10	0 - 10	0 - 10	0 - 10	0 - 10
1	25	14.0	84524XX.0000.00000	0 - 10	0 - 10	0 - 10	0 - 10	0 - 10
1 1/4	32	23.0	84525XX.0000.00000	0 - 7	0 - 7	0 - 7	0 - 7	0 - 7
1 1/2	40	30.0	84526XX.0000.00000	0 - 4.5	0 - 4.5	0 - 4.5	0 - 4.5	0 - 4.5
2	50	37.0	84527XX.0000.00000	0 - 3	0 - 3	0 - 3	0 - 3	0 - 3

\* Pilot pressure 3.5 - 10 bar, pilot connection Z2

\*\* Pilot pressure 1 - 10 bar, pilot connection Z1

## Technical data actuator Ø 120 mm

Connection size G	DN mm	kv-Value m³/h	Part number	Operating pressure bar			
				PTFE	Normally open*	Position indicator: 2 switches, IP 65	Position indicator to NAMUR EN 50227
				80	81	83	88
1 1/4	32	23.0	84525XX.0000.00000	0 - 20	0 - 20	0 - 20	0 - 20
1 1/2	40	41.0	84526XX.0000.00000	0 - 12	0 - 12	0 - 10	0 - 10
2	50	70.0	84527XX.0000.00000	0 - 10	0 - 10	0 - 10	0 - 10
2 1/2	65	107.0	84528XX.0000.00000	0 - 7	0 - 7	0 - 7	0 - 7
3	80	157.0	84529XX.0000.00000	0 - 5	0 - 5	0 - 5	0 - 5

\* 8X = Pilot pressure 5.0 - 7 bar

81 = Pilot pressure 1.0 - 7 bar

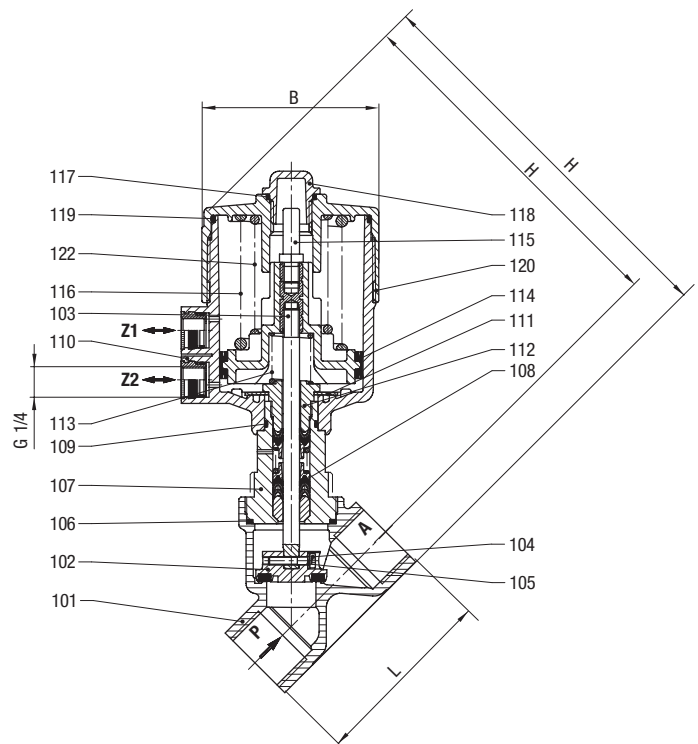
## Drawing legend

Index	Description
101	Valve body
*102	Valve plate
103	Valve spindle assembly
104	Allen head screw
105	Spring washer
*106	Gasket
107	Screw piece
*108	Spindle sealing
*109	O-ring
110	Bottom of control head housing
*111	Cup spring
112	Screw piece
*113	Pressure spring
*114	Piston seal
115	Signal pin
*116	Pressure spring
117	O-ring
118	End cap
*119	O-ring
120	Control head housing cover
*122	Pressure spring

\* A service kit consists of these individual parts.

Connection size G	L mm	B mm	H mm	H1 mm
1/2	65	89.5	177.5	164.0
3/4	75	89.5	184.0	168.0
1	90	89.5	194.5	174.0
1 1/4	110	89.5	209.5	184.5
1 1/2	120	89.5	208.5	186.0
2	150	89.5	229.5	194.5

## Actuator Ø 70 mm



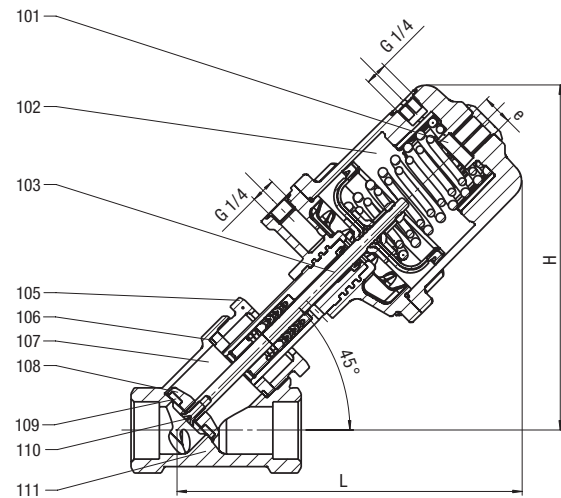
## Drawing legend

Index	Description
101	Valve body
102	Actuator
103	Valve spindle assembly
105	Nut
106	Gasket
108	Valve plate
109	Seat seal
110	Nut
111	Valve body

Connection size G	L mm	H mm
1 1/4	287	287
1 1/2	293	293
2	9301	301
2 1/2	313	313
3	330	330

\* B = maximum width

## Actuator Ø 120 mm



## Service kits actuator Ø 70 mm

For valves	Part number
8452200	1256700
8452300	1256701
8452400	1256702
8452500	1256703
8452600	1256704
8452700	1256705

## Further options (valves)

XXXXX08.XXXX Double acting; 4/2 or 5/2-way pilot valve required  
 XXXXX22.XXXX Higher operating pressure (actuator Ø 70 mm only)

## Further options on request

- Seal materials: NBR, FPM, EPDM
- Stroke limiter
- Silencer
- Electrical position indicator with proximity switch
- DIN or ISO welded ends

## Accessories

3/2-way pilot valves 84660 / 84680, page 148

## Note:

Order service kit 1264287 if these valves are to be used in Zone 1/2 or 21/22 hazardous areas. This kit includes an additional instruction plate, a declaration of conformity and a dust filter. The maximum permissible fluid temperature is reduced to +85 °C.

Please turn to page 276 for technical information on our valves.